

Making the Ordinary Extraordinary



Product Features

REPLACES ANTI-TIP WHEELS

The design incorporates anti-tip wheels and provides the required stability

UNIVERSAL FOR ALL CHAIRS

The unit can be mounted to most power chairs rear wheel drive chairs

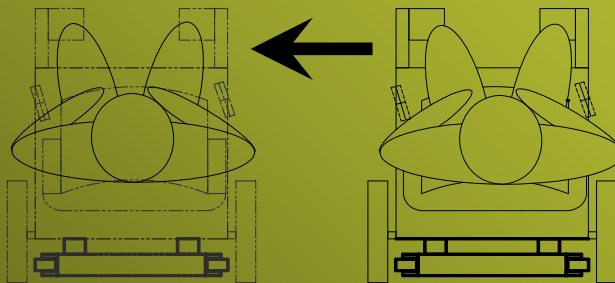
CHAIR DIMENSIONS

The dimensions of the chair are not increased by this attachment

INTEGRATED CONTROL

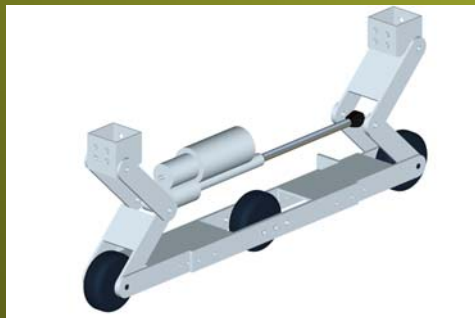
The operation of the devices is integrated into the control of the wheelchair joystick.

SIDWAYS WHEELCHAIR KIT^{PATENT PENDING}



Sideways innovation with forward thinking

Imagine a wheelchair that moves sideways!! As simple as moving the joystick, you can move left or right. Tight spaces are no longer a challenge.



3802 Spectrum Blvd, Ste.112, Tampa, FL 33612-9220 Tel 813.600.3058 Fax 813.436.935



This innovative product was developed in collaboration with the University of South Florida and licensed exclusively to REHAB IDEAS

WWW.REHABIDEAS.COM